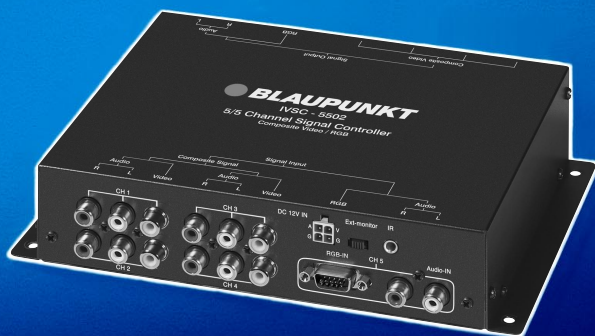




In Car Video

# IVSC-5502

Operating and installation instructions



<http://www.blaupunkt.com>

 **BLAUPUNKT**

# CONTENTS

---

<b>General information</b> .....	<b>11</b>
Installation and safety notices .....	11
Accessories .....	11
<b>Supplied parts</b> .....	<b>12</b>
<b>Switching on/off</b> .....	<b>12</b>
Switching on the signal controller ..	12
Switching off the signal controller ..	12
<b>Settings</b> .....	<b>13</b>
External monitor switch (Fig. 2) .....	13
Monitor connections .....	13
<b>IR remote control</b> .....	<b>13</b>
Functions .....	13
Settings for Audio OUT .....	14
<b>Installation</b> .....	<b>15</b>
Installation and safety notices .....	15
Positive connection .....	15
Switching positive .....	15
Fuse .....	15
Negative (ground) connection .....	15
<b>Specifications</b> .....	<b>16</b>
Features .....	17
<b>Connection diagrams</b> .....	<b>72</b>

## General information

Thank you for choosing a Blaupunkt product. We hope you enjoy using this new piece of equipment.

**Please read these operating instructions before using the equipment for the first time.**

The Blaupunkt editors are constantly working on making the operating instructions clearer and easier to understand. However, if you still have any questions on how to operate the device, please contact your dealer or the telephone hotline for your country. You will find the telephone number printed at the back of this booklet.

We provide a manufacturer guarantee for our products bought within the European Union. You can view the guarantee conditions at [www.blaupunkt.de](http://www.blaupunkt.de) or ask for them directly at:

Blaupunkt GmbH  
Hotline  
Robert Bosch Str. 200  
D-31139 Hildesheim

## Installation and safety notices

Before connecting your signal controller, please read the following information carefully.

**The battery's negative terminal must be disconnected for the entire time it takes to install and connect this device.**

When doing so, observe the vehicle manufacturer's safety notices (airbags, alarm systems, trip computers, immobilizers).

Before drilling any holes, make sure that no installed cables or vehicle components can be damaged.

When installing the signal controller, select a location in the vehicle that allows you to attach it firmly into place using screws. The installation location should be such that the signal controller does not get in the way of the driver and cannot endanger the occupants in the event of the vehicle suddenly coming to a halt, for instance, during an emergency stop.

The IR remote control should not be installed within the inflation range of airbags (driver, passenger side, side airbags) or in any position where it could be struck by the vehicle occupants' heads or knees.

With regard to the installation location and the attachment using an adhesive pad, check and ensure that the holding strength of the installation surface is sufficient and suitable for all situations and safety requirements.

## Accessories

We recommend you use accessories that have been approved by Blaupunkt.

## Supplied parts

The signal controller is supplied with all the parts listed below. Please check that the range of parts supplied with your device is complete. If one of the listed parts is missing, please contact your dealer immediately.

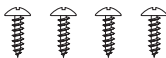
- Signal controller 7 607 003 551



- Connecting cable



- Screws



- IR remote control



- IR receiver



- Operating and installation instructions

## Switching on/off

### Switching on the signal controller

The signal controller is switched on via the "+12V ignition" switching line by the connected control device.

### Switching off the signal controller

The signal controller is switched off via the "+12V ignition" switching line by the connected control device. Switching on/off.

## Settings

### External monitor switch (Fig. 2)

Switch position on **right**: No external monitor connected.

Switch position on **left**: If a Blaupunkt navigation (RGB) monitor is connected via a Y-cable (7 607 001 600).

### Monitor connections

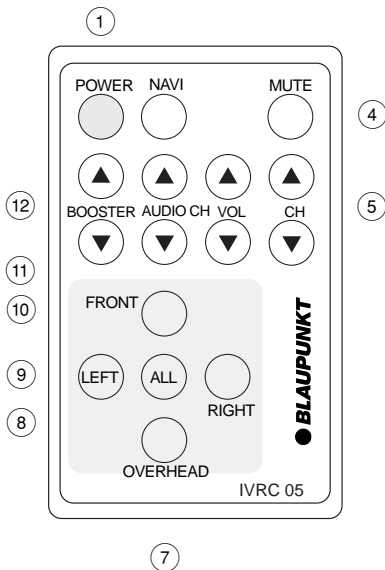
**Note:** From the FRONT, LEFT, RIGHT and OVERHEAD monitor output, you can optionally assign the 8 or 13 PIN jack.

## IR remote control

### Functions

The supplied remote control is suitable for operating the signal controller and the monitors.

**You must enter a button combination in order to control a single monitor or all the monitors simultaneously. To do so, you first select the monitor (FRONT/LEFT/RIGHT-OVERHEAD or ALL) and then the function that you require. The selected monitor or monitors remain(s) selected until you press one of the buttons (FRONT/LEFT/RIGHT-OVERHEAD or ALL) again.**



# IR REMOTE CONTROL

---

- ① **POWER**  
On/off button for the selected monitor or monitors.
- ② **NAVI**  
Selects the navigation monitor.
- ③ **VOL • arrow button ▲**  
Increase the volume for the selected monitor (not Audio OUT).  
**VOL • arrow button ▼**  
Decrease the volume for the selected monitor (not Audio OUT).
- ④ **MUTE**  
Mute the volume for all the connected monitors and Audio OUT.
- ⑤ **CH • arrow button ▲/▼**  
Select the input source for the selected monitor.
- ⑥ **RIGHT**  
Selects the right monitor.
- ⑦ **OVERHEAD**  
Selects the overhead monitor.
- ⑧ **ALL**  
Select all monitors.
- ⑨ **LEFT**  
Select the left monitor.
- ⑩ **FRONT**  
Select the front monitor.

## Settings for Audio OUT

- ⑪ **AUDIO CH • Arrow button ▲/▼**  
Select the input source for Audio OUT.  
**Note:** The volume of the input source must be adjustable.
- ⑫ **BOOSTER**  
Setting the amplification for Audio OUT ▲/▼ 0 dB or 10 dB.

## Installation

### Installation and safety notices

Before connecting your signal controller, please read the following information carefully.

**The battery's negative terminal must be disconnected for the entire time it takes to install and connect this device.**

When doing so, observe the vehicle manufacturer's safety notices (airbags, alarm systems, trip computers, immobilizers).

Before drilling any holes, make sure that no installed cables or vehicle components can be damaged.

When installing the signal controller, select a location in the vehicle that allows you to attach it firmly into place using screws. The installation location should be such that the signal controller does not get in the way of the driver and cannot endanger the occupants in the event of the vehicle suddenly coming to a halt, for instance, during an emergency stop.

The IR remote control should not be installed within the inflation range of airbags (driver, passenger side, side airbags) or in any position where it could be struck by the vehicle occupants' heads or knees.

With regard to the installation location and the attachment using an adhesive pad, check and ensure that the holding strength of the installation surface is sufficient and suitable for all situations and safety requirements.


**Note:**

**Before connecting the monitors to your signal controller, check that the +/- and switching positive connections are working properly.**

### Positive connection

Connect the fuse holder (**1A fuse**) to protect the positive cable (permanent (1), see Fig. 1). The fuse holder should be connected to the positive terminal at a distance of max. 30 cm from the vehicle battery (if necessary, drill a hole in the bulkhead and use the appropriate cable grommets).

### Switching positive

Connect the switching positive cable (2) (see Fig. 1) to the switching positive output (ignition ) of the main device (e.g. car radio or navigation device). If connecting to terminal 15 of the vehicle, protect the switching positive cable (2) by installing a fuse holder (1A fuse) at a maximum distance of 20 cm from the point of connection.

### Fuse

If the fuse needs to be replaced, never bypass/bridge the fuse and never replace it with fuse types that are designed for higher currents.

### Negative (ground) connection

Attach the negative cable (1) (earth/GND, (3), see Fig. 1) directly to the vehicle body using a screw. Scratch the surface down to the bare metal at the point at which the ground is made.

- If the installation requires holes to be drilled or any other changes to be

made to the vehicle, please contact a specialist workshop in your area.

**Note:**

You cannot display PAL video on the wide vision TV monitor using the RGB input.

In this case, the PAL video signal must be connected directly to the AV input of the wide vision TV monitor..

### Specifications

**Video input:**

Composite Video, 1.0 Vpp, 75 ohms

**Audio input:**

0 - 1.0 Vrms, 20 Hz-20 kHz  
(Booster off)

0 - 0.3 Vrms, 20 Hz-20 kHz  
(Booster on)

**RGB input (video signal):**

0.7 VPP, 75 ohms

**RGB input (composite-sync):**

0.7 VPP, 75 ohms

**Video output:**

Composite video, 1.0 Vp-p, 75 ohms

**Audio output:**

0 - 1.0 Vrms, 20 Hz - 20 kHz

**RGB output (video signal):**

0.7 VPP, 75 ohms

**RGB output (composite-sync):**

1.0 VPP, 75 ohms

**Power supply:**

DC 12V, +/- 10%, max. 5A

**Operating temperature:**

-20° to +70° Celsius

**Dimensions:**

205 x 45 x 146 mm (W x H x D)



## Features

### **5 Audio inputs:**

Cinch jacks

### **4 Video inputs:**

Cinch jacks

### **1 RGB input:**

15 pin Sub-D socket

### **4 monitor outputs:**

Composite video, audio L/R, control, 13-pin (8-pin) jack, with power, earth and switching positive

### **1 RGB output:**

15-pin Sub-D plug-type connector

### **1 Audio output:**

Cinch jacks

10dB booster on/off

### **Conversion:**

RGB to CCVS

CCVS to RGB

### **IR remote control**

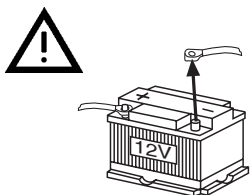
### **IR receiver**

### **Power input:**

4-pin plug-type connector

### **Metal housing**

**Anschlussbilder • Connection diagrams • Schéma électrique • Schemi di allacciamento • Aansluittekeningen • Anslutningsbilder • Esquemas de conexión • Esquemas de ligação • Tilslutningsskemaer**



**Fig. 1**

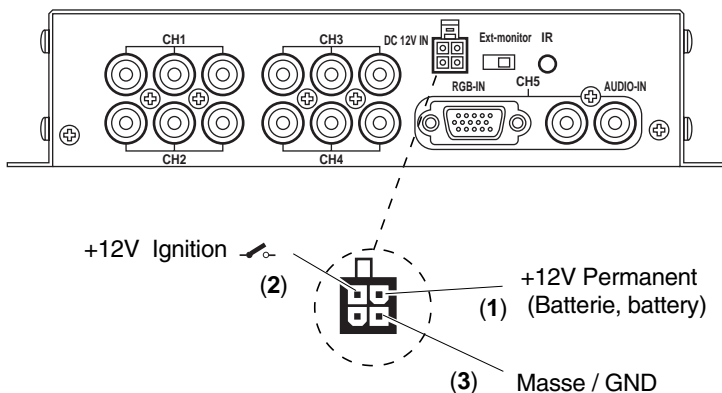


Fig. 2

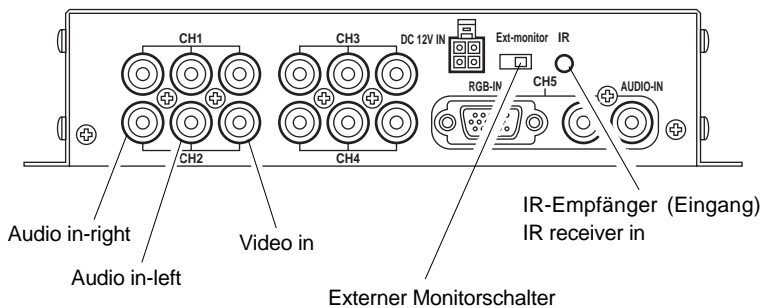
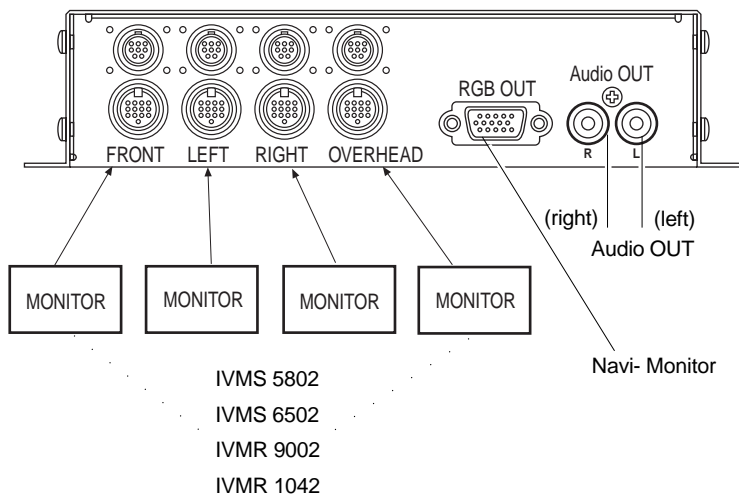
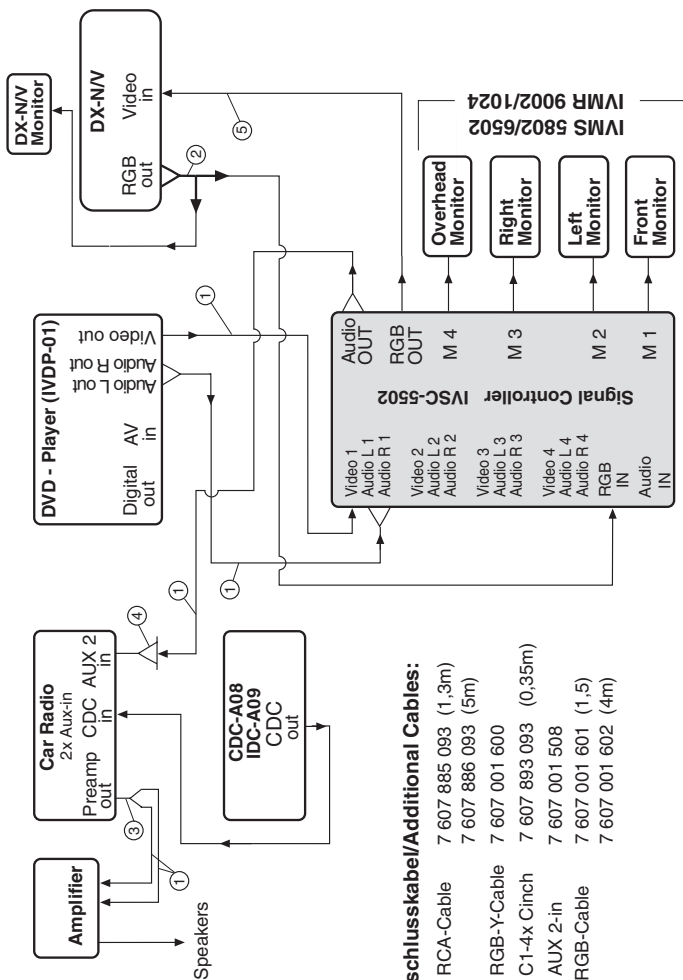


Fig. 3



## Beispielanschluss mit verschiedenen Komponenten / Connection example with various components



### Anschlusskabel/Additional Cables:

- ① RCA-Cable 7 607 885 093 (1,3m)  
7 607 886 093 (5m)
- ② RGB-Y-Cable 7 607 001 600
- ③ C1-4x Cinch 7 607 893 093 (0,35m)
- ④ AUX 2-in 7 607 001 508
- ⑤ RGB-Cable 7 607 001 601 (1,5)  
7 607 001 602 (4m)

**Service-Nummern / Service numbers / Numéros du service après-vente / Numeri del servizio di assistenza / Servicenummers / Telefonnummer för service / Números de servicio / Números de serviço / Servicenumre**

<b>Country:</b>	<b>Phone:</b>	<b>Fax:</b>	<b>WWW:</b>
Germany	(D) 0180-5000225	05121-49 4002	<a href="http://www.blaupunkt.com">http://www.blaupunkt.com</a>
Austria	(A) 01-610 390	01-610 393 91	
Belgium	(B) 02-525 5454	02-525 5263	
Denmark	(DK) 44 898 360	44-898 644	
Finland	(FIN) 09-435 991	09-435 99236	
France	(F) 01-4010 7007	01-4010 7320	
Great Britain	(GB) 01-89583 8880	01-89583 8394	
Greece	(GR) 210 57 85 350	210 57 69 473	
Ireland	(IRL) 01-4149400	01-4598830	
Italy	(I) 02-369 6331	02-369 6464	
Luxembourg	(L) 40 4078	40 2085	
Netherlands	(NL) 023-565 6348	023-565 6331	
Norway	(N) 66-817 000	66-817 157	
Portugal	(P) 01-2185 00144	01-2185 11111	
Spain	(E) 902-120234	916-467952	
Sweden	(S) 08-7501500	08-7501810	
Switzerland	(CH) 01-8471644	01-8471650	
Czech. Rep.	(CZ) 02-6130 0441	02-6130 0514	
Hungary	(H) 01-333 9575	01-324 8756	
Poland	(PL) 0800-118922	022-8771260	
Turkey	(TR) 0212-3350677	0212-3460040	
USA	(USA) 800-2662528	708-6817188	
Brasil (Mercosur)	(BR) +55-19 3745 2769	+55-19 3745 2773	
Malaysia (Asia Pacific)	(MAL) +604-6382 474	+604-6413 640	

**Blaupunkt GmbH**

